



Installation procedures

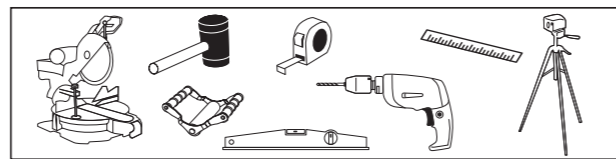
Wall protections & handrails

Spm[®]
wall protection

1. TOOLS REQUIRED	4
2. IMPACT AND LINEA'PUNCH NEO PROTECTION RAILS	4/8
2.1 Installation procedure for IMPACT and LINEA'PUNCH NEO protection rails	5
2.1.1 Preparation and cutting method	6
2.1.2 Fixing the protection rails	6
2.2 Joining IMPACT and LINEA'PUNCH NEO protection rails	8
3. CONTACT PROTECTION PLATES	9
3.1 Installation procedure for CONTACT protection plates	9
4. DECOBOWL PLATE	9
4.1 Installation procedure for DECOBOWL plate	9
5. ELASTO'PUNCH PROTECTION RAILS	10
5.1 Installation procedure for ELASTO'PUNCH protection rails	10
6. MAINTENANCE	10

1. TOOLS REQUIRED

- Mitre saw with carbide blade for aluminium and PVC
 - Mallet
 - Measuring tape and pencil
 - Laser level
 - Level and ruler
 - Electric drill and screwdriver
 - Pressure roller
- Reference: ROMUS 94959
Reference: ROMUS 93290
Reference: SPM OUTRM004



2. IMPACT AND LINEA'PUNCH NEO PROTECTION RAILS

- SPM IMPACT and LINEA'PUNCH NEO wall protection rails consist of a PVC profile mounted on aluminium rails or brackets.
 - Protection rails are finished with end pieces.
 - These protections must be screwed to the wall.
- The table below shows the fixing techniques to be used for the main types of wall surface found in the building industry.

TYPE OF WALL	FIXING PROCEDURE
WALLS WITH WOODEN STUDS	Woodscrews, 5 x 40 mm
METALLIC STRUCTURES	Self-tapping screws, 5 x 40 mm
PLASTERBOARD - SINGLE SKIN AND DOUBLE SKIN (*)	Self-tapping expansion plugs or metal expansion plugs
HOLLOW BRICK, HOLLOW BREEZE BLOCK, HOLLOW PLASTER TILES (**)	5-mm diameter countersinking screws (length according to wall type)
CONCRETE WALLS	Metal expansion plugs
SOLID BRICK AND OLD WALLS	FISCHER-type plugs, 6 x 35 mm diameter for 5 x 50 mm screws
CELLULAR CONCRETE	FISCHER-type plugs, 6 x 35 mm diameter for 5 x 50 mm screws

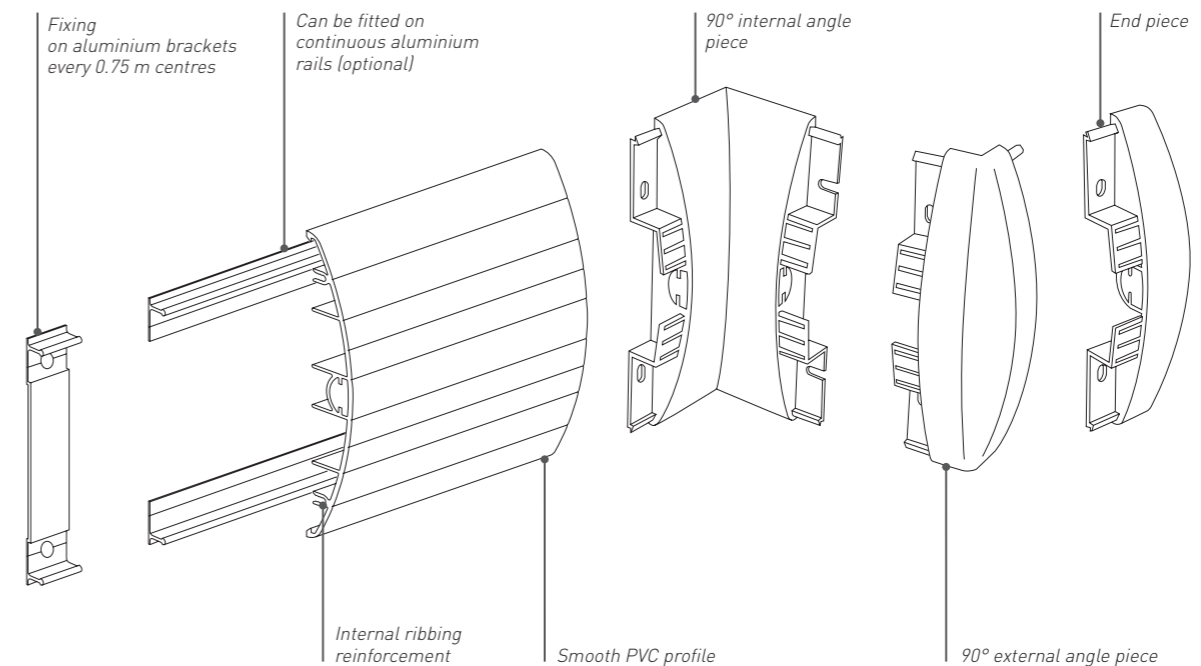
(*) If the area is subject to heavy traffic, add an extra wood or metal stud in the partition.

(**) If using Molly-type metal plugs, remove the head of the plug with a plier.

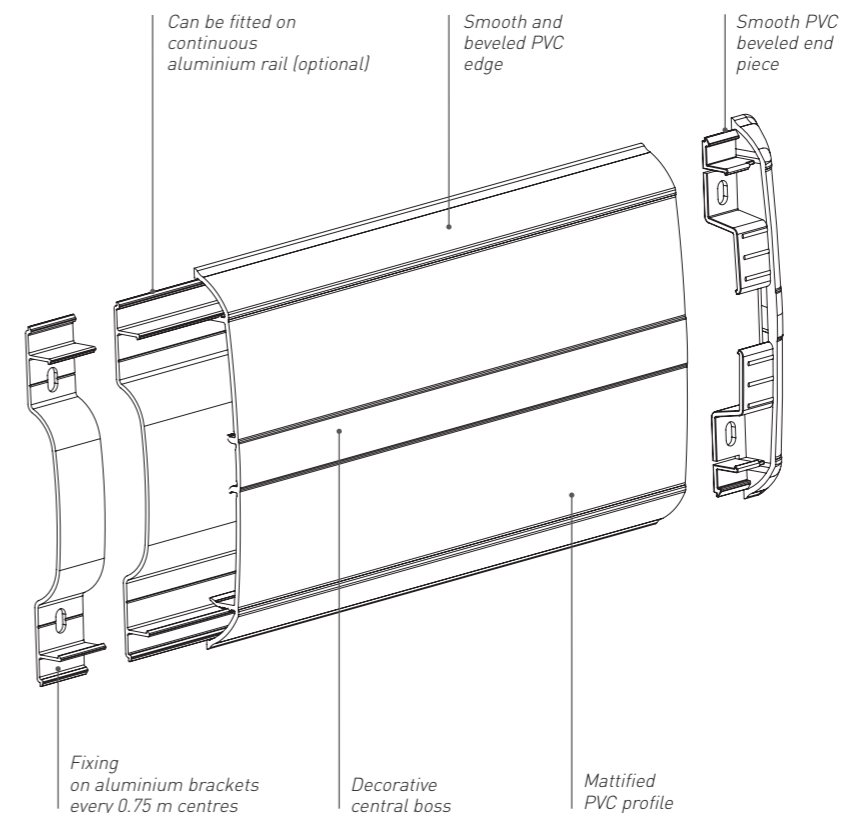
INSTALLING IMPACT AND LINEA'PUNCH NEO

2.1 INSTALLATION PROCEDURE FOR IMPACT AND LINEA'PUNCH NEO PROTECTION RAILS

IMPACT



LINEA'PUNCH NEO



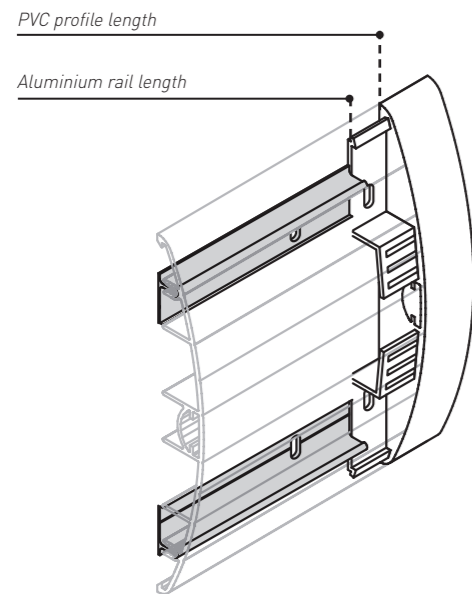
INSTALLING IMPACT AND LINEA'PUNCH NEO

2.1.1. PREPARATION AND CUTTING METHOD

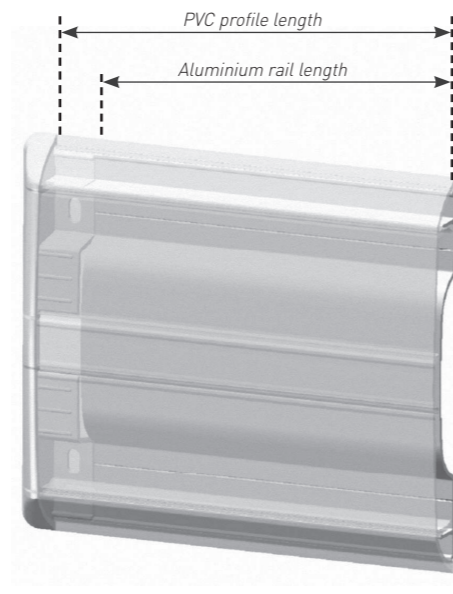
• When the profiles have to be cut in advance, the table below shows the dimensions that need to be subtracted from the wall dimensions for cutting the PVC profile. For LINEA'PUNCH NEO, you are advised to use a batten to prevent the profile from bending and thereby ensure a straight cut.

! Caution: the lengths of the aluminium rail and the PVC profile are not the same.

IMPACT



LINEA'PUNCH NEO



Length to be subtracted for each accessory [for PVC profiles]

PROTECTION RAILS	END PIECE	EXTERNAL ANGLE PIECE	INTERNAL ANGLE PIECE
IMPACT 200	50 mm	25 mm	65 mm
IMPACT 120	50 mm	20 mm	65 mm
IMPACT 60	50 mm	20 mm	65 mm
LINEA'PUNCH NEO	16.5 mm	-	-

• The length of the aluminium rail is then calculated by subtracting 40 mm from the length of the PVC profile.

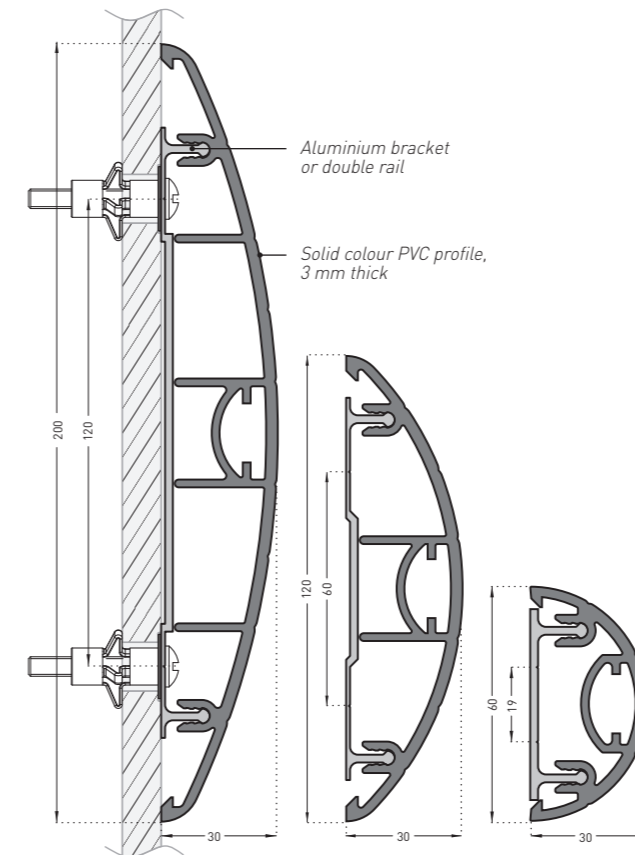
2.1.2. FIXING THE PROTECTION RAILS

	LOW LEVEL PROTECTION	MID LEVEL PROTECTION
RECOMMENDED HEIGHT OF PROTECTION (RAIL CENTRELINER)	200 mm above floor level	800 mm above floor level
Use a pencil or laser level to draw upper and lower drilling centrelines along the wall.		
IMPACT 200	260 and 140 mm	860 and 740 mm
IMPACT 120	230 and 170 mm	830 and 770 mm
IMPACT 60	209.5 and 190.5 mm	809.5 and 790.5 mm
LINEA'PUNCH NEO	257 and 143 mm	857 and 743 mm

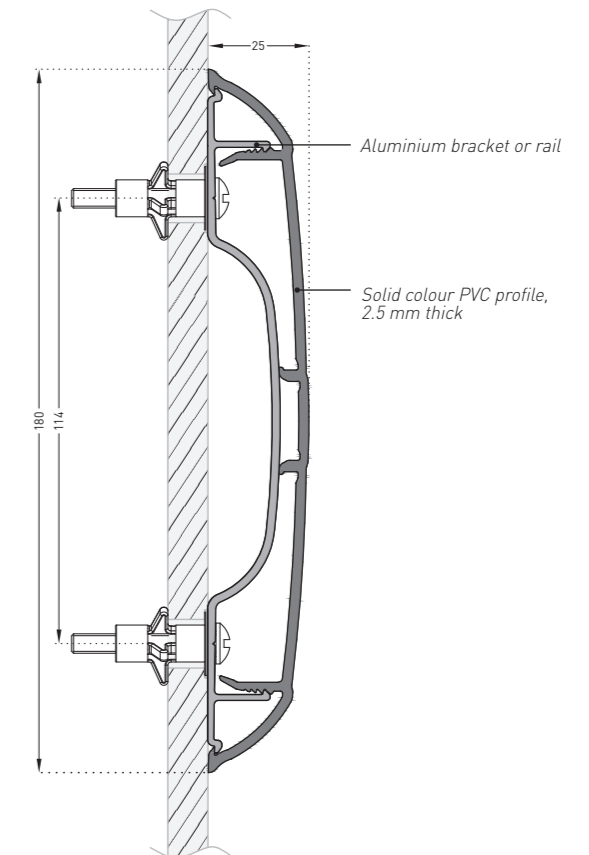
• To ensure that protection rails are fitted tightly against the wall, plug heads can either be embedded in the wall or removed to prevent excess thickness between the bracket (or rail) and the wall.

INSTALLING IMPACT AND LINEA'PUNCH NEO

IMPACT



LINEA'PUNCH NEO



- Place the end pieces and internal / external angle pieces over the centrelines. Check that they are perpendicular to the floor and then mark their pre-drilled hole positions onto the wall.
- Drill into the wall, fit the plugs and then fix the end pieces and angle pieces onto the wall (see Fig. 1).

Option 1: Fixing on aluminium brackets

- Place the aluminium brackets over the centrelines. Place the first aluminium bracket approximately 20 mm from the end piece (or angle piece) and then space the brackets at intervals of no more than 750 mm. Check that they are perpendicular to the floor and then mark their pre-drilled hole positions onto the wall. Drill into the wall, fit the plugs and then fix all the aluminium brackets onto the wall (see Fig. 2).

Option 2: Fixing on IMPACT 120 and 200 double aluminium rails

- Measure the length between each end piece or angle piece and then cut the rail using a mitre saw. Drill through the rail along the grooves, starting at 20 mm from the edge and then spacing the holes at no more than 750 mm apart. Place the rails over the centrelines on the wall and then mark each hole on the wall. Drill into the wall, fit the plugs and then fix the rails onto the wall (see Fig. 3).

Option 3: Fixing on IMPACT 60 and LINEA'PUNCH NEO aluminium rails

- Measure the length between each end piece or angle piece and then cut the rail using a mitre saw. Drill through the rail along the grooves, starting at 20 mm from the edge and then spacing the holes at no more than 750 mm apart. Place the rails over the centrelines on the wall and then mark each hole on the wall. Drill into the wall, fit the plugs and then fix the rails onto the wall (see Fig. 4).

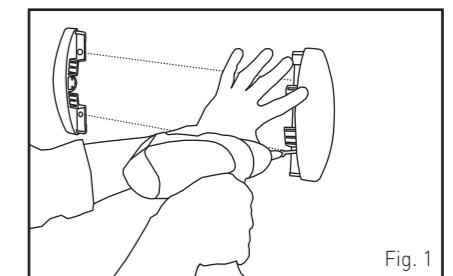


Fig. 1

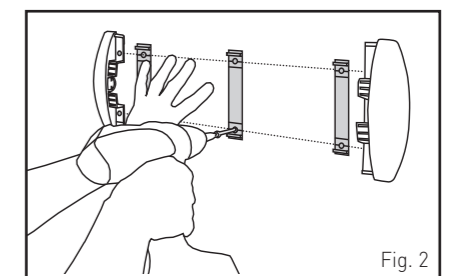


Fig. 2

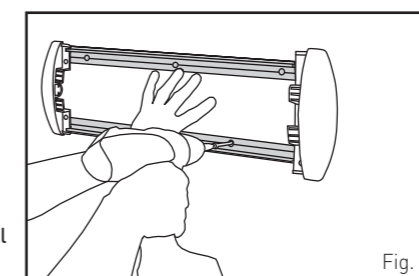


Fig. 3

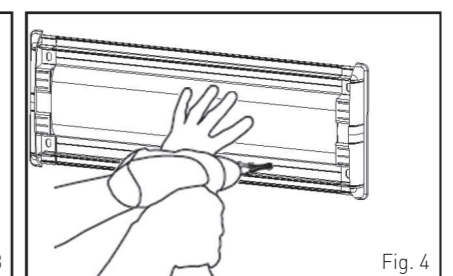


Fig. 4

! Caution: the lengths of the aluminium rail and the PVC profile are not the same.

INSTALLING IMPACT AND LINEA'PUNCH NEO

Irrespective of fixing options (brackets or rails):

- Measure the length from end piece to end piece, or from angle piece to angle piece, and then cut the PVC profile using a mitre saw. You are advised to use a template beneath the profile to ensure a straight cut and avoid deforming the profile.
- Clip the PVC profile onto the brackets or rails by striking it firmly. Use a mallet if necessary. Ensure that the PVC profile is correctly clipped on all the brackets or along the full length of the rail (see Fig. 5 and 6).
- The PVC profile is clipped onto the brackets or rail in four places. The two central zones allow the PVC profile to be gradually clipped in place, while enabling proper positioning and fitting with the end pieces. The outer clipping zones hold the profile firmly against the wall.
- Where the wall surface is uneven, you are advised to use fixing brackets at the start, middle and end of the uneven patch to force the profile to follow the wall's surface and thereby avoid excessively large clearances.
- Remove the protective film.

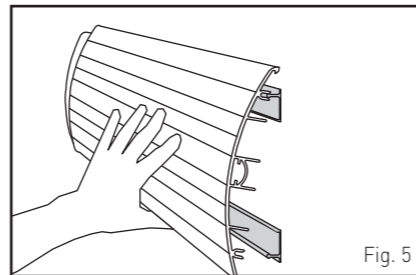


Fig. 5

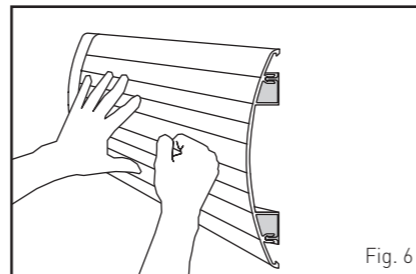
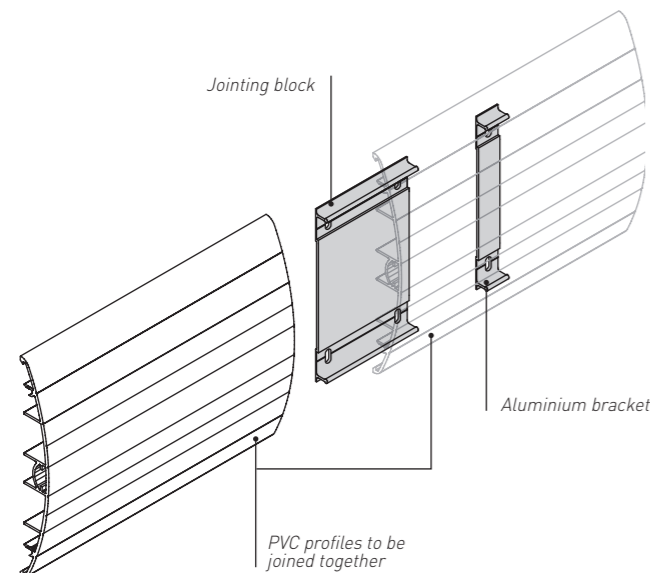


Fig. 6

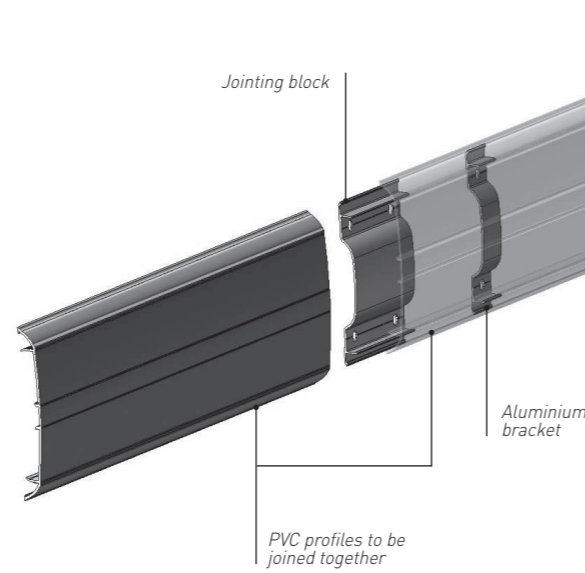
2.2 JOINING IMPACT AND LINEA'PUNCH NEO PROTECTION RAILS

- For wall runs over 4,000 mm long, PVC protection rails mounted on brackets may be joined together using a 100 mm long aluminium piece to provide a continuity and hold the protection rail in place.
- These pieces (not pre-drilled) are fixed to the wall at four mounting points.

IMPACT



LINEA'PUNCH NEO



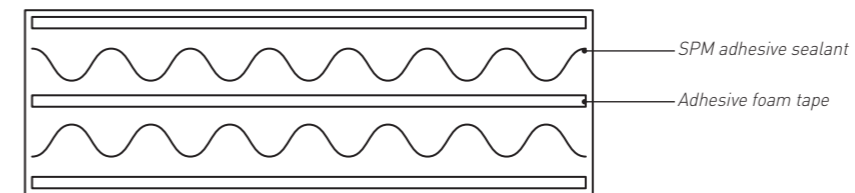
INSTALLING CONTACT AND DECOBOWL

3. CONTACT PROTECTION PLATES

- SPM CONTACT protection plates are wall protection solutions comprising a PVC profile 2.5 mm thick.
- These protections are fixed directly to the wall using SPM adhesive sealant.
- Adhesive foam tapes are laid along the edges (and in the centre for CONTACT 350) to temporarily hold the protection plate in place while the sealant dries (tack time). The adhesive foam tapes are in no way designed to provide permanent support.

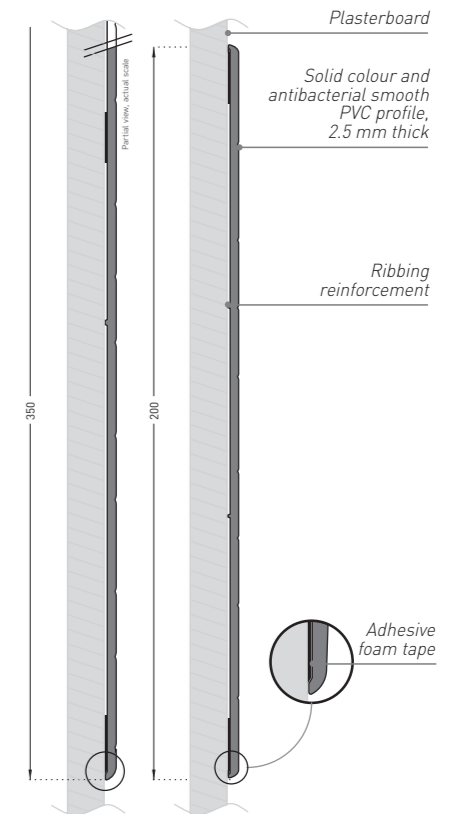
3.1 INSTALLATION PROCEDURE FOR CONTACT PROTECTION PLATES

- Apply the SPM adhesive sealant to the surface of the PVC profile as shown in the diagram below:



- Mark the height of the protection on the wall using a spirit level and a pencil (or laser).
- Remove the protective film from the adhesive foam tapes.
- Place the protection plate against the wall and take care to follow the drawn lines (once positioned on the wall, the protection plate cannot be moved).
- Press down hard (with a roller) all across the outer surface of the PVC profile.
- Clean off any excess sealant with a rag and hot water.
- Remove the protective film from the plates.

CONTACT



4. DECOBOWL PLATE

- The Decobowl plate consists of a pre-drilled PVC panel (straight or round shape), 2-mm thick. It is a solution of protection and reinforcement for wall hung toilet bowl to be fixed on a soft wallcovering.
- The Decobowl plate will have to jut out by 10 cm on the sides and above the bowl.

4.1 INSTALLATION PROCEDURE FOR DECOBOWL PLATE WITH SPM ACRYLIC GLUE

- Spread SPM acrylic glue over the wall surface which was marked out earlier.
- Please refer to section PANELS, Installing Decochoc, paragraph 4.3, page 16.
- The watertightness of the periphery of the plate is realized with silicone joint.

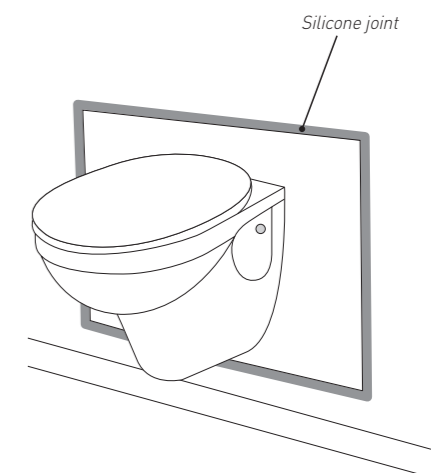
! It is imperative to allow an enough open time because of the acrylic glue trapped between two watertight surfaces

4.2 INSTALLATION PROCEDURE FOR DECOBOWL PLATE WITH SPM ADHESIVE SEALANT

- Spread SPM adhesive sealant with a spatula over the wall surface which was marked out earlier.
- The watertightness of the periphery of the plate is realized with silicone joint.

4.3 INSTALLATION PROCEDURE FOR DECOBOWL PLATE WITH SPM MS POLYMER GLUE

- Spread SPM MS Polymer glue over the wall surface which was marked out earlier.
- Please refer to section PANELS, Installing Decochoc, paragraph 4.4, page 16.
- The watertightness of the periphery of the plate is realized with silicone joint.



INSTALLING ELASTO'PUNCH

5. ELASTO'PUNCH PROTECTION RAILS

- Cut the protection rail to the required length. Use a circular saw or a wide-blade knife while constantly lubricating with water.
- Drill a hole in the profile at 100 mm from each end.

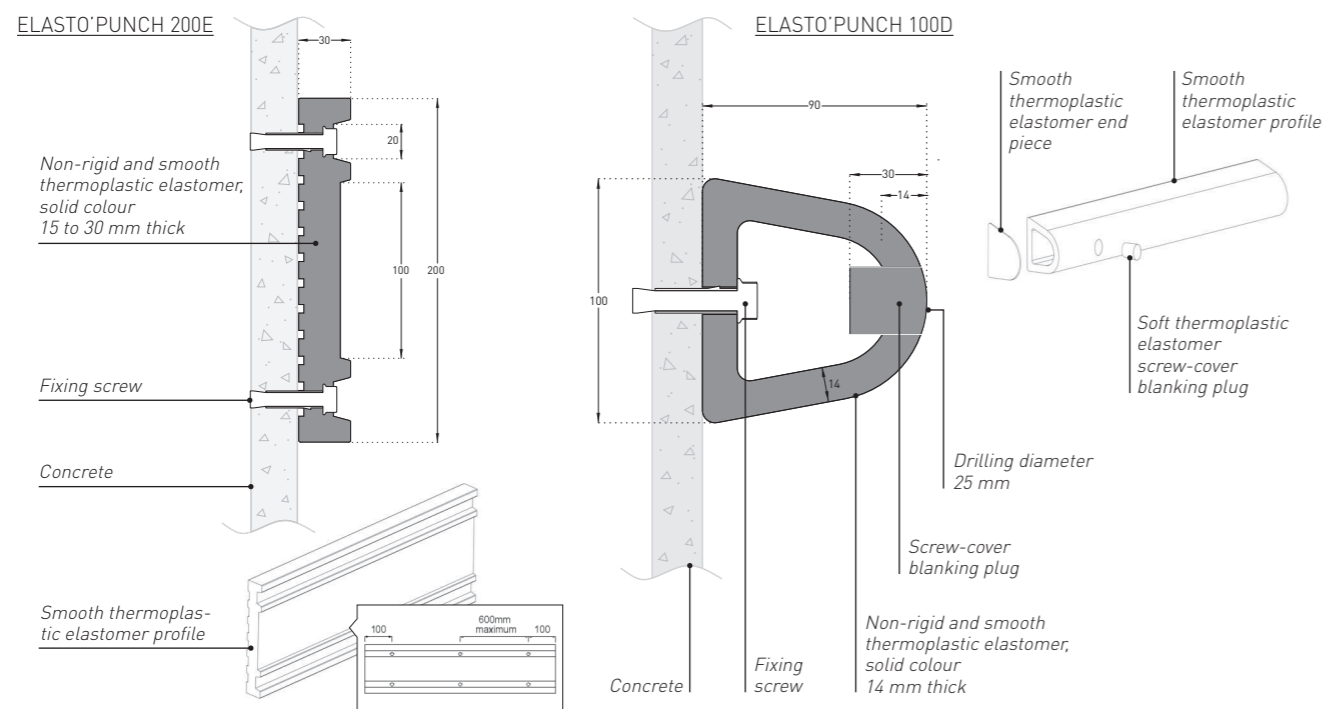
For Elasto'Punch 100D

- 25-mm diameter for the screw-cover blanking plug and washer
- 10-mm diameter for the screw
- Repeat approximately every 300 mm

For Elasto'Punch 200E

- 10-mm diameter for the screw. In each of the profile's grooves as shown in the diagram below
- Repeat approximately every 600 mm

- Mark the top edge of the protection rail from the floor (according to requirements)
- Use the protection rail as a template to mark and drill into the wall
- Choose the appropriate plug for the type of wall
- Fix to the wall using M7 socket screws with hexagonal or cylinder heads and fitted with a washer
- For Elasto'Punch 100D
 - Finish by gluing the end pieces and snapping in the screw-cover blanking plugs.



6. MAINTENANCE

- Do not leave products exposed to sunlight, that could lead to changes in colour and/or deform the product, due to excessive increases in temperature.
- It is essential to use solvents that do not leave any greasy or dry residue.
- The following products are recommended for cleaning:
 - Ammonia
 - Ethanol
 - Isopropyl alcohol
 - Essence F cleaner
 - Standard cleaning products, such as Bioquell and Anios
- Products **MUST NOT BE CLEANED** with a scouring pad, such as a Scotch-Brite pad.
- If using non-recommended products, test on an offcut. Reactions may differ depending on the colour of the product and the solvents used.

DO NOT USE:

- White spirit
- Acetone
- Petrol
- Paint thinners

PANELS

1. TOOLS REQUIRED

12

2. CONDITIONS FOR INSTALLATION

12

3. FIXING DECOCHOC PANELS

13/14

3.1 Information about SPM acrylic glue	14
3.2 Information about SPM Polymer glue	14
3.3 Information about SPM universal primer.....	14
3.4 Damp environments during installation.....	14
3.5 Damp environments after installation.....	15
3.6 Environments at low temperature	15

4. INSTALLATION PROCEDURE

15/23

4.1 Cutting and adjusting DECOCHOC panels	15
4.2 Installation method.....	15
4.3 Installation with SPM acrylic glue and fixing the DECOCHOC panels.....	16
4.4 Installation with SPM MS Polymer glue.....	16
4.5 Laying thermowelded joints.....	17
4.6 Laying silicone joints.....	17
4.7 Installing Fin'Color finishing and jointing profiles.....	18
4.7.1 Fixing the product	18
4.7.2 Cutting the product	18
4.7.3 Horizontal fitting.....	18
4.7.4 Vertical fitting	18
4.7.5 Combined horizontal and vertical fitting.....	18
4.8 Installing Fin'Alu finishing and jointing profiles.....	18
4.8.1 Fixing the product	19
4.8.2 Horizontal fitting.....	19
4.8.3 Combined horizontal and vertical fitting.....	19
4.9 Installing on round pillars.....	19
4.10 Installing DECOCHOC panels with bends for angles	20
4.11 Fitting DECOCHOC panels to doors	20
4.12 Fitting panels to door frames	22
4.13 Installing DECOPRINT panels	23

5. DECOCHOC PANEL MAINTENANCE

23

6. RESTRICTIONS

23

IMPORTANT: The information in this document is valid from 1 June 2023 and is subject to change without prior notice. We are continuously making technical improvements to our products; before starting any work, our customers should check with us that this document is still in force.

Service Export

Tel : + 33 (0)5 34 39 41 00

Email : export@spm.fr

SPM international S.A.S.

16 rue Isabelle Eberhardt

CS 92083 - 31019 Toulouse Cedex 2 - France

Tel : +33 (0)5 34 39 40 00

spm-international.com

**PANELS
HANDRAILS
PROTECTION RAILS
CORNER PROTECTION**

Business registration no. B.419 396 965 - jpe - Printed in France - 06/2023

Committed to sustainable development



A company of **Gerflor**

Sp^m
wall protection